

SubSession

HomeArena^{5.1}

5.1 SpeakerSystem

English Manual

Version 26.07.2002

CE Declaration

We:

TerraTec Electronic GmbH, Herrenpfad 38, D-41334 Nettetal, Germany

hereby declare that the product:

HomeArena 5.1

to which this declaration refers is in compliance with the following standards or standardizing documents:

EN 50013, EN 50022, EN 60065

The following are the stipulated operating and environmental conditions for said compliance:

Residential, business and commercial environments and small-company environments.

This declaration is based on:

Test report(s) of the EMC testing laboratory



TerraTec® ProMedia, SoundSystem Gold, SoundSystem Maestro, SoundSystem Base 1, SoundSystem DMX, SoundSystemDMX XFire 1024, AudioSystem EWS®64, AudioSystem EWS88, AudioSystem EWX24/96, XLerate, XLerate Pro, Base2PCI, TerraTec 128iPCI, TerraTec 512i digital, TerraTV+, TerraTV Radio+, TerraTValue, VideoSystem Cameo 600 DV, WaveSystem, TerraCAM USB, TerraCAM USB Pro, TerraCAM iLook, m3po, Phono PreAmp, MIDI Smart and MIDI Master Pro are trademarks registered by TerraTec® Electronic GmbH Nettetal, Germany.

In most cases, the designations used in this handbook for software and hardware are also registered trademarks and are thus subject to the relevant regulations.

©TerraTec® Electronic GmbH, 1994-2001. All rights reserved (26.07.2002).

Meticulous care has been exercised in the preparation of all text passages and illustrations in this User Guide. TerraTec Electronic GmbH and its authors, however, accept no liability, legal or otherwise, for any errors or the consequences of such errors. We reserve the right to technical modifications.

All text passages in this documentation are copyrighted. All rights reserved. No part of this documentation may be reproduced in any form whatsoever, by photography, microfilming or other process or rendered into a language/form usable by computers without the prior, written consent of the authors. All rights for use and propagation by presentation, radio and television are also reserved.

Welcome!

We're pleased that you have chosen a TerraTec speaker system and would like to congratulate you on this decision.

With the SubSession HomeArena 5.1, you've purchased a new dimension in surround sound. We're convinced that our product will provide you with a great deal of entertainment and reliable service in the coming years.

Your TerraTec Team

Unpacking the system:

After you have unpacked the system, please ensure that it is complete.

In addition to these instructions, you should have the following components:

- 5 satellite speakers –
- 1 subwoofer
- 1 remote control
- 2 batteries

- 3 speaker connector cables for the left, right and center speakers (approx. 3 m)
- 2 speaker connector cables for the rear surround speakers (approx. 7 m)
- 3 audio connector cables (3.5 mm to RCA)

- 1 manual
- 1 registration/warranty card with the serial number
- 1 customer service card

Please return the registration card to us at the earliest possible opportunity or register online at <http://www.terratec.net/register.htm>. This is important for support and warranty services.

Service

In case you encounter unexpected problems during the installation, our support team is available by phone from Monday to Friday between 1:00 pm to 8:00 pm, Central European Time.

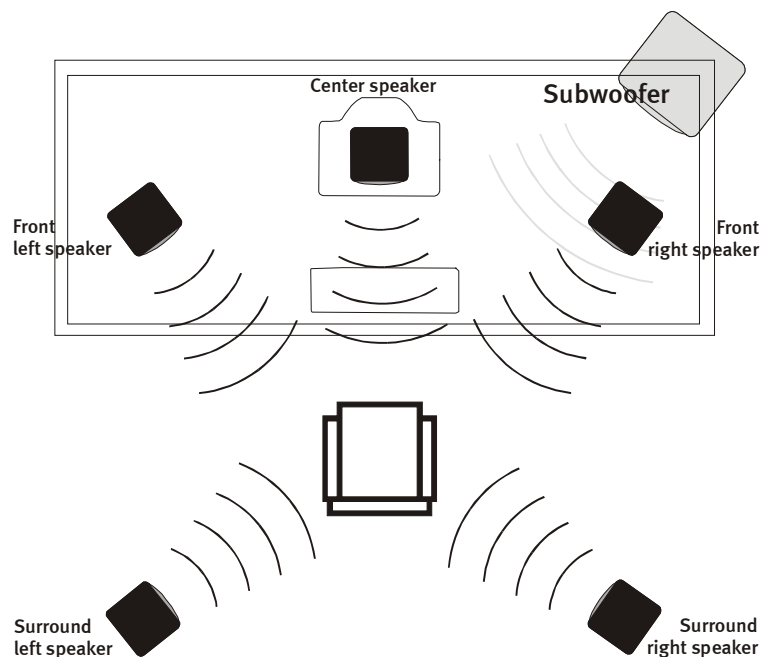
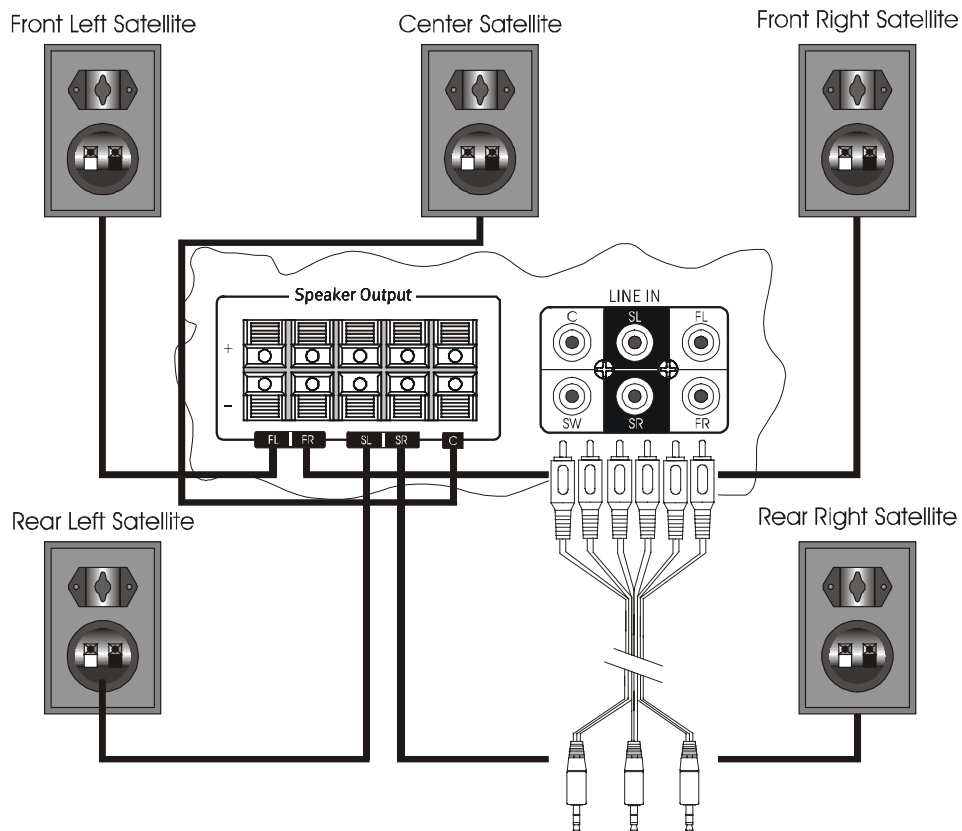
We would also be pleased to answer your question online. For further information, please visit <http://www.terratec.net/support>.

Should it become necessary to return the product to our service department, please follow the detailed instructions on the customer service card. Thank you.

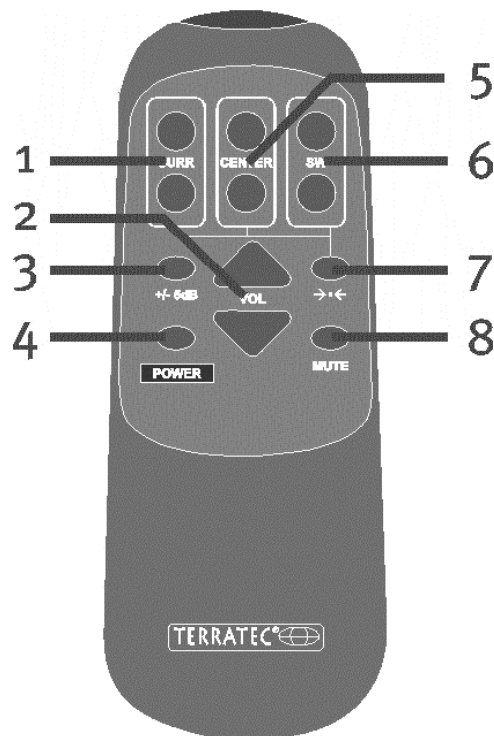
Design and operation:

Please ensure that the power is off when connecting any of the components. This will protect you from any possible - albeit weak - electrical shocks, as well as protecting your speakers and your hearing from sudden peaks.

Please connect the speaker cables to the subwoofer and satellite speakers as shown in the diagram below.



The remote control:



- 1 SURR = level of the rear surround channels +/-
- 2 VOL = overall volume +/-
- 3 +/- 5dB
Switch between 2 levels of 5db difference for master sound output, so as to adapt different input levels.
Shown on the LED display as "d" at lower output level setting, for higher level sound input devices like DVD player.
Shown on the LED display as "C" at higher output level , for lower sound input devices like soundcards (computers).
- 4 Power = on/off
- 5 CENTER = level of the center speaker +/-
- 6 SW = level of the subwoofer +/-
- 7 „$\rightarrow \bullet \leftarrow$” = reset to default settings
- 8 MUTE = boss function, on/off

To ensure the best possible function, point the front of the remote control toward the indicator light on the subwoofer. The indicator will light up or change whenever it receives a signal from the remote control.

Technical data:

Technical data:

Frequency range	20 Hz – 20 kHz
Overall power	55 watts
Input impedance	20K ohms
Inputs	6 RCA

Satellite speakers:

Speakers	five * 3.5 " (7.5 cm)
Power	30 watts (5 * 6 watts) +/- 10 %
Impedance	4 ohms

Center speaker:

Speaker	3.5 " (7.5 cm)
Power	8 watts +/- 10 %
Impedance	4 ohms

Subwoofer:

Speaker	8 " (20 cm)
Power	25 watts +/- 10 %
Crossover frequency	50 Hz
Impedance	8 ohms

AC power requirements:

Power supply	230 V / 50 Hz
Consumption	90 watts

Dimensions:

Subwoofer	315 mm (w) * 290 mm (D) * 290 mm (H)
Satellite speakers	90 mm (W) * 95 mm (d) * 133 mm (H)
Total weight	11 kg

Safety note

1. Do not connect the subwoofer's outputs to an external amplifier
2. Do not open the housing, high voltages occur inside
3. Do not expose to direct sunlight, protect against rain or spray
4. Switch off and unplug the AC power supply of the HomeArena 5.1 if you are not going to use it for extended periods.