

SpeakerSystem

HomeArena TXR 665

5.1 SpeakerSystem

English Manual

Version: 02.06.2003

CE Declaration

We:

TerraTec Electronic GmbH, Herrenpfad 38, D-41334 Nettetal, Germany

hereby declare that the products:

HomeArena TXR 665

to which this declaration refers is in compliance with the following standards or standardizing documents:

EN 50013, EN 50022, EN 60065

The following are the stipulated operating and environmental conditions for said compliance: residential, business and commercial environments and small-company environments.

This declaration is based on:

Test report(s) of the EMC testing laboratory



The information in this document is subject to change without notice and shall not be deemed as a warranty by the seller. No warranties, express or implied, are made with regard to the quality, suitability or accuracy of this document. The manufacturer reserves the right to change the contents of this document and/or the associated products at any time without the provision of prior notice to specific persons or organizations. The manufacturer shall not be held liable for damages of any kind arising from the use, or the inability to use this product or its documentation, even if the possibility of such damage is known. The information in this document is subject to copyright. All rights are reserved. No part of this manual may be reproduced or transmitted in any form or for any purpose without the express written permission of the copyright holders. Product and brand names contained in this document are used for identification purposes only. All registered trademarks, product designations or brand names used in this document are the registered property of their respective owners.

©TerraTec® Electronic GmbH, 1994-2003. All rights reserved (02.06.2003).

Contents

1. Introduction	4
1.1. What's in the Package?	4
1.2. System Requirements	4
2. Installation	5
2.1. Front View HomeArena TXR665	5
2.2. Back View HomeArena TXR665	5
2.3. Positioning the Speakers	6
2.4. Connecting to your audio source.....	7
2.5. Connecting to a DVD or other audio source.....	8
2.6. Connecting the Speakers	9
2.7. Using the controls.....	10
3. Operating and Safety Instructions for HomeArena TXR665.....	11
4. Electromagnetic Compatibility.....	11
4.1. Electromagnetic Compatibility (Europe)	11
5. FCC Declaration	12
6. Limited warranty.....	13

1. Introduction

1.1. What's in the Package?

Your package HomeArena Speaker Systems includes the following documentation and hardware:

- 1 x 5" (12,5 cm) Subwoofer
- 5 x 3" (7,5 cm) Satellites
- 5 x pillars for satellites
- 1 x set wall mounting bracket for 2 satellite speakers
- 3 x cable 3,5 mm stereo to mini chinch
- 3 x cable stereo chinch to stereo chinch (2 RCA-2 RCA)
- 1 x Quick-I-Guide
- 1 x CD
- 1 x Registration card
- 1 x Service request form

If any components are missing or damaged, please contact your dealer.

1.2. System Requirements

PC with 6 channel soundcard (e.g. Terratec Aureon Series or DMX 6fire 24/96, DVD-Player with integrated Decoder and discrete (6 channel) outputs or any other audio source with 6 discrete analog output

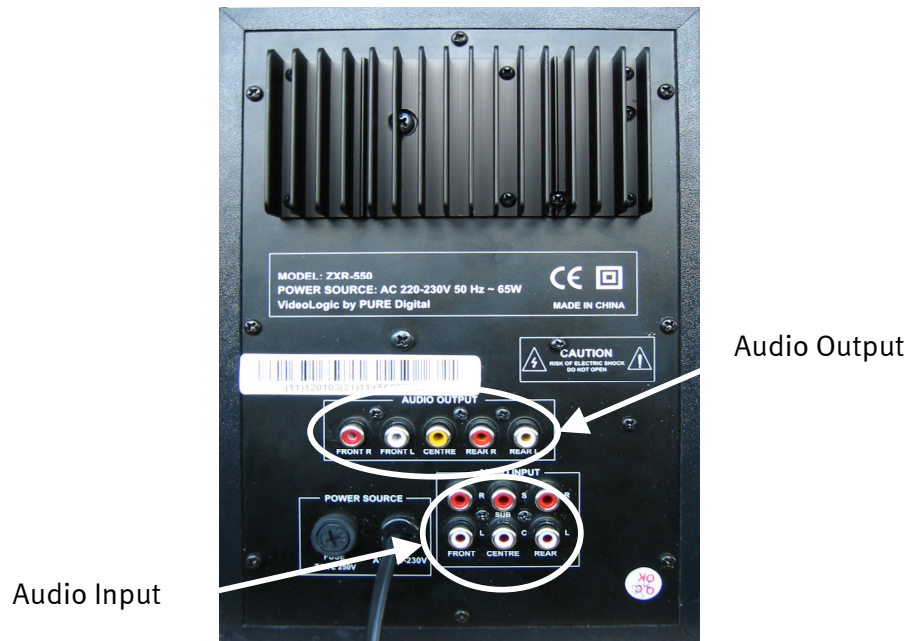
2. Installation

2.1. Front View HomeArena TXR665



(picture only for illustration)

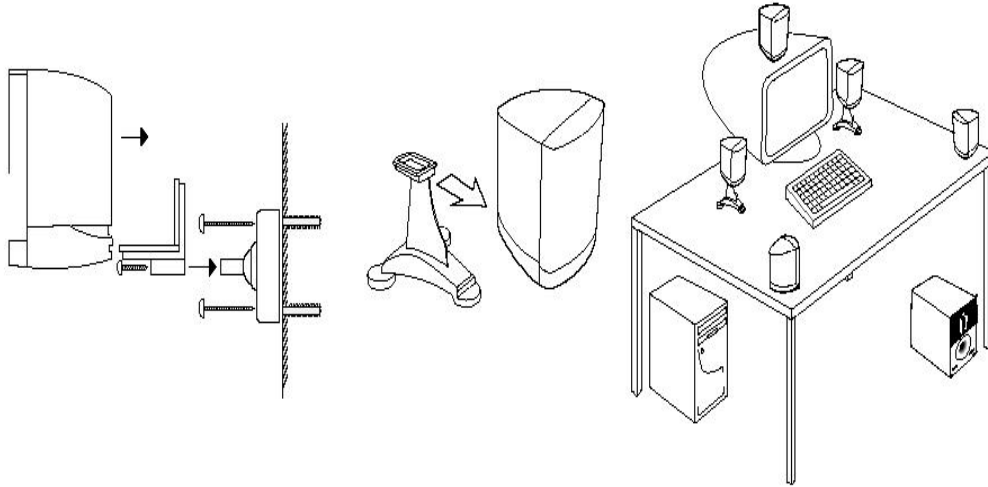
2.2. Back View HomeArena TXR665



(picture only for illustration)

2.3. Positioning the Speakers

The most common setup for use with a PC is shown below. Removable speaker stands and two wall mounting brackets are provided with your HOMEARENA TXR665 for use with the satellite speakers.



(picture only for illustration)

To attach a speaker stand or wall bracket, slide it onto the speaker as shown above. General speaker positioning guidelines:

Front:

In front of your listening position (e.g. either side of your monitor) and angled towards you.

Rear:

Behind Speaker to the side of your listening position (e.g. on the nearest corners of your desk) and angled towards you.

You can also mount them on a side or back wall using the optional wall brackets. Subwoofer On the floor (e.g. under your desk) or somewhere else where you can reach the controls.

Centre Straight ahead of your listening position (e.g. on top of your monitor), ideally at the same height as your front speakers.

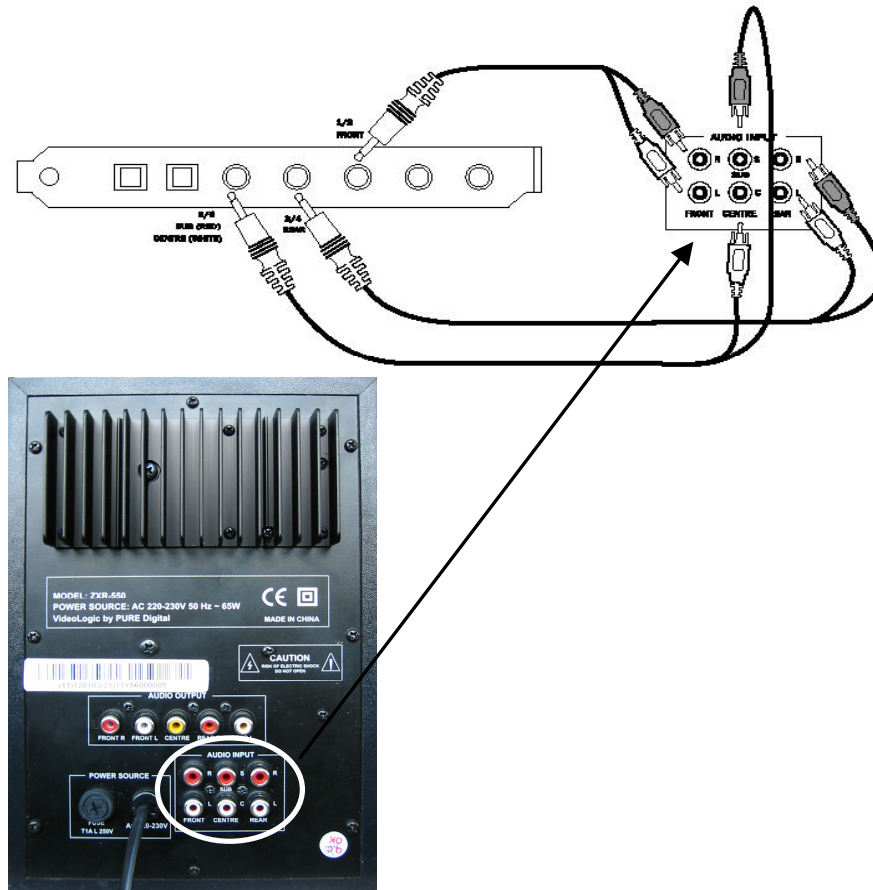
Subwoofer on the soil (i.e. under your desk) or in another place, in which you can reach controls.

2.4. Connecting to your audio source

You can connect any soundcard to your HOMEARENA TXR 665 speaker set.

Shown below are typical connections for a 6-channel sound card using the supplied cable 3,5 mm stereo to mini chinch.

To connect to a 4-channel soundcard connect only the FRONT and REAR inputs and for a 2-channel soundcard connect to the FRONT inputs at the subwoofer.



(picture only for illustration)

With 6-channel (5.1) audio material (DVD), you will typically hear dialogue from the centre speaker, surround sound from the front and rear satellite speakers and bass effects from the subwoofer.

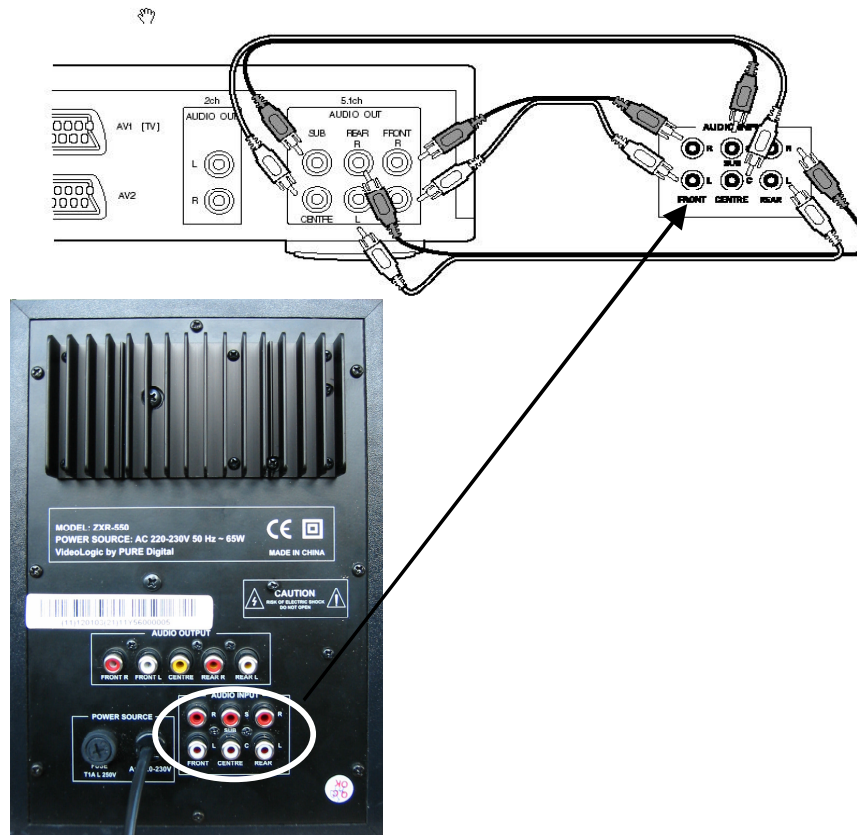
Connected to a 4-channel audio the subwoofer will be headed for anyway to maintain sound quality.

Otherwise the deep frequencies would be missed.

Refer to the documentation that came with your soundcard and DVD software for details of controlling the output settings. Also check that the HOMEARENA TXR665 volume levels are set correctly.

2.5. Connecting to a DVD or other audio source

You can connect any DVD player (if the DVD player has a decoder included) or other audio source to your HOMEARENA TXR665 speaker set. Shown below are typical connections for a DVD player with built in 6-channel decoder using stereo chinch to stereo chinch (2 RCA-2 RCA) cables.



(picture only for illustration)

If your source unit only has 2-channel audio output, connect to the FRONT connectors on your HOMEARENA TXR665 only.

If you have a 4.0 audio source connected please use only the FRONT and REAR connectors at your subwoofer.

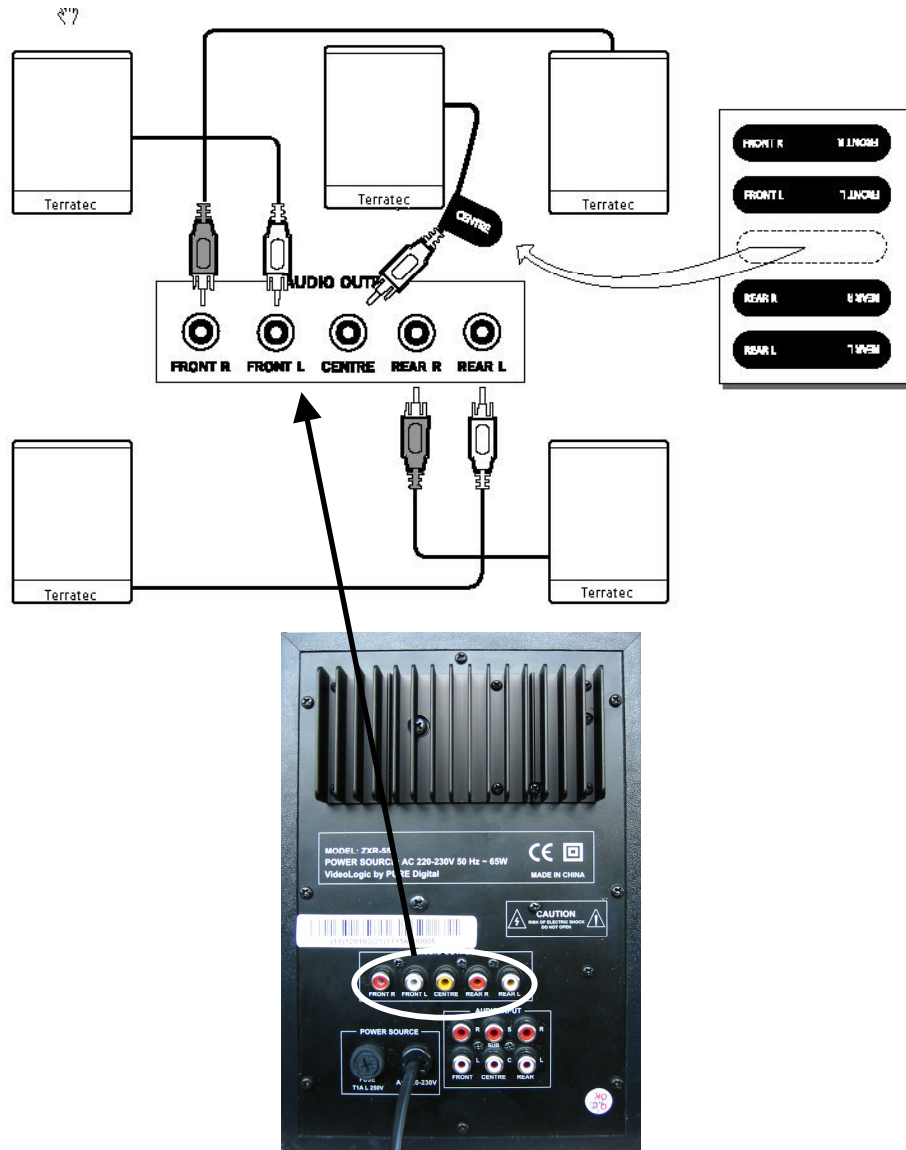
On both cases the subwoofer will be headed for anyway to maintain sound quality.

Otherwise the deep frequencies would be missed.

Refer to the documentation that came with your source unit for details of controlling the output settings.

2.6. Connecting the Speakers

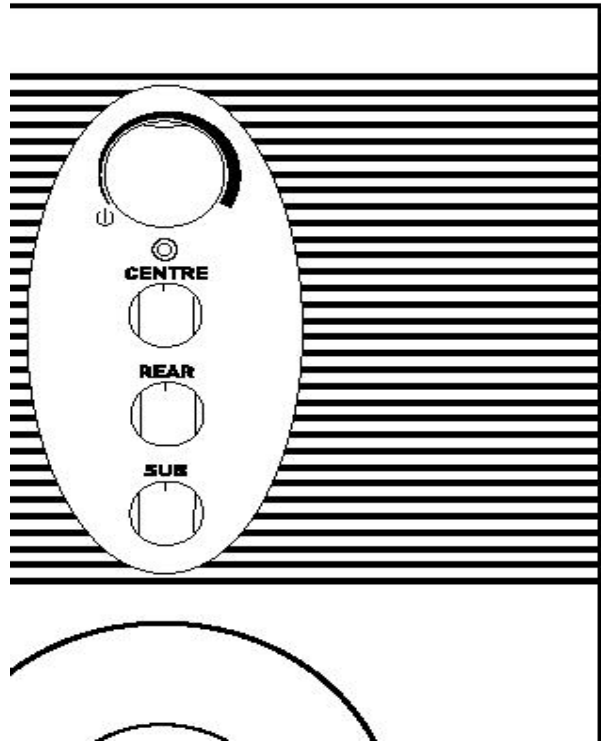
Connecting the speakers of your HOMEATRENA TXR665 is a simple task. You connect each of the five satellites to the main subwoofer unit which houses the amplifier and subwoofer speaker as shown above using the speaker cables attached to each speaker. The three satellite speakers with shorter cables are the front left, front right and centre speakers and the two satellite speakers with longer cables are the rear left and rear right speakers.



(picture only for illustration)

2.7. Using the controls

The following controls for your HomeArena TXR665 are positioned on the front of the subwoofer.



(picture only for illustration)

VOLUME Switches the unit on/off and adjusts the overall volume including the front speakers. The power light on the front panel will light up when the unit is switched on.

CENTRE Adjusts the volume of the centre speaker.

REAR Adjusts the volume of the rear speakers.

SUB Adjusts the volume of the subwoofer.

The recommended volume level setup method is as follows:

1. Set the overall volume using the VOLUME control.
2. Set the volume of the centre, rear and subwoofer speakers using the CENTRE, REAR and SUB controls.
3. You can now adjust the overall volume using the VOLUME control or in software if connected to your PC.

3. Operating and Safety Instructions for HomeArena TXR665

1. Make sure the amplifier/subwoofer is properly ventilated from above and below.
2. Do not install the amplifier/subwoofer in a confined space such as a bookcase or similar unit.
3. Keep the amplifier/subwoofer away from heat sources.
4. Don't use the amplifier/subwoofer or loudspeakers near water.
5. Avoid objects or liquids getting into the amplifier/subwoofer or loudspeakers.
6. Avoid sustained periods of high-volume use, as this may damage the loudspeaker cones.

HOMEARENA TXR665 uses a 220-230V AC 50Hz mains supply. Do not attempt to open the HOMEARENA TXR665 amplifier/subwoofer. No user-serviceable parts are inside.

For your safety, always obey the warning:

CAUTION - RISK OF ELECTRIC SHOCK - DO NOT OPEN COVER.

4. Electromagnetic Compatibility

4.1. Electromagnetic Compatibility (Europe)

This equipment complies with the European new approach directive on EMC (Directive 89/336/EEC). Please contact us for further details.

5. FCC Declaration

This equipment has been tested and found to comply with the limits for a Class B digital device in accordance with the specifications in Part 15 of FCC rules. These specifications are designed to provide reasonable protection against such interference in a residential installation. This equipment generates, uses, and can radiate radio-frequency energy. Incorrect use may lead to radio-frequency interference. However, there is no guarantee that interference will not occur in a particular installation. You can determine whether this device is causing interference by turning it off. If the device does cause interference, try to correct it by using one or more of the following measures:

- Turn the television or radio antenna until the interference stops.
- Move the device farther away from the receiver.
- Plug the device into an outlet that is on a different circuit from the receiver.
- Consult your retailer or an experienced radio/television technician for additional suggestions.

Only devices designated as Class B may be connected and must feature shielded satellite cables. Changes or modifications to this product not authorized by the group responsible for the adherence to the regulations could void the FCC certification and negate your authority to operate the product. This device complies with the specifications in Part 15 of FCC rules. Its operation is subject to the following rules: 1.) The device must not emit dangerous radiation. 2.) The device must accept interference, including interference that may lead to faulty operation.

6. Limited warranty

TerraTec Electronic GmbH (hereinafter: “TerraTec”) guarantees the first buyer (hereinafter: “buyer”) the product's freedom from defects in materials and workmanship for a period of 24 months if used as intended, installed in the original system under the conditions specified below. This warranty does not cover problems of compatibility with hardware, software or alternative configurations used with the device. In the event of damage covered by this warranty, TerraTec shall repair or replace the device free of charge at its own discretion.

TerraTec reserves the right to replace the device with a comparable or superior model. Such replacement devices may be reconditioned or may contain reconditioned parts. Repaired or replaced products shall be subject to the same terms of warranty.

This limited warranty does not cover incorrect use, misuse, improper handling, accidents, improper installation or other reasons not related to defects in materials or workmanship. TerraTec reserves the right to invoice repairs performed for any of the reasons specified above as appropriate. This shall also apply to the return of equipment which is in good operating condition. Memory or other components that were not originally supplied with this product are not covered by this warranty.

In the event of warranty claims, please contact TerraTec technical support. You must have spoken to one of our services staff members before returning a device to us. You will be given an RMA (return material authorization) number and information on how to proceed with the return of your damaged product. No TerraTec product will be accepted for repairs without an RMA number and proof of purchase. The sales slip or invoice shall suffice as proof of purchase. The costs for shipping of the product to be repaired by TerraTec shall be borne by the sender.

No other warranties are made, express or implied, including but not restricted to warranties with regard to suitability for a specific purpose or commercial viability. TerraTec shall under no circumstances be held liable for damages arising from the deployment or installation of a TerraTec product or from the infringement upon an express or implied warranty. TerraTec's liability toward the buyer shall be limited to the purchase price of the device in the event that damages arise from the use of the device or negligence by TerraTec. TerraTec reserves the right to investigate and verify damage to any and all products or components. This warranty does not apply to software components.